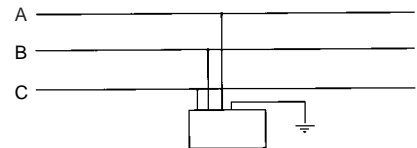
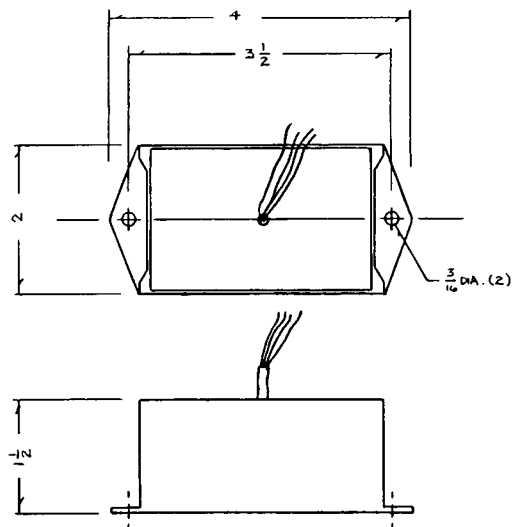




Selection & Specification Tables

Part Number	208 Volts	240 Volts	380 Volts	480 Volts	600 Volts
	M-1778	M-1777	M-1781	M-1776	M-1775
Rated AC Voltage	250	275	420	550	680
Average Power Dissipation	1 watt	1 watt	1 watt	1 watt	1 watt
Transient Energy (Joules)	130 j	140 j	160 j	210 j	250 j
Peak Current 8/20 us (amps)	6500	6500	6500	6500	6500
Varistor Voltage @ 1MADC ±10%	390	430	680	910	1100
Max. Clamping Voltage	650	710	1120	1500	1815
Max. Clamping Current	100	100	100	100	100
Capacitance @ 1KHz	700pf	630pf	420pf	320pf	250pf
Response Time	<15nsec	<15nsec	<15nsec	<15nsec	<15nsec
Number of Internal Mov's	3	3	3	3	3
Number of Leads	4	4	4	4	4
Operating Temperature	from -40°C to +85°C				
Wire Size	All leads are 14 AWG				

DIMENSIONS:



Delta Power System



Wye Power System

USA Headquarters
W147 N9525 Held Drive
Menomonee Falls, WI 53051 USA
Telephone: 262-253-8200
Fax: 262-253-8222
e-mail: sales@mtecorp.com